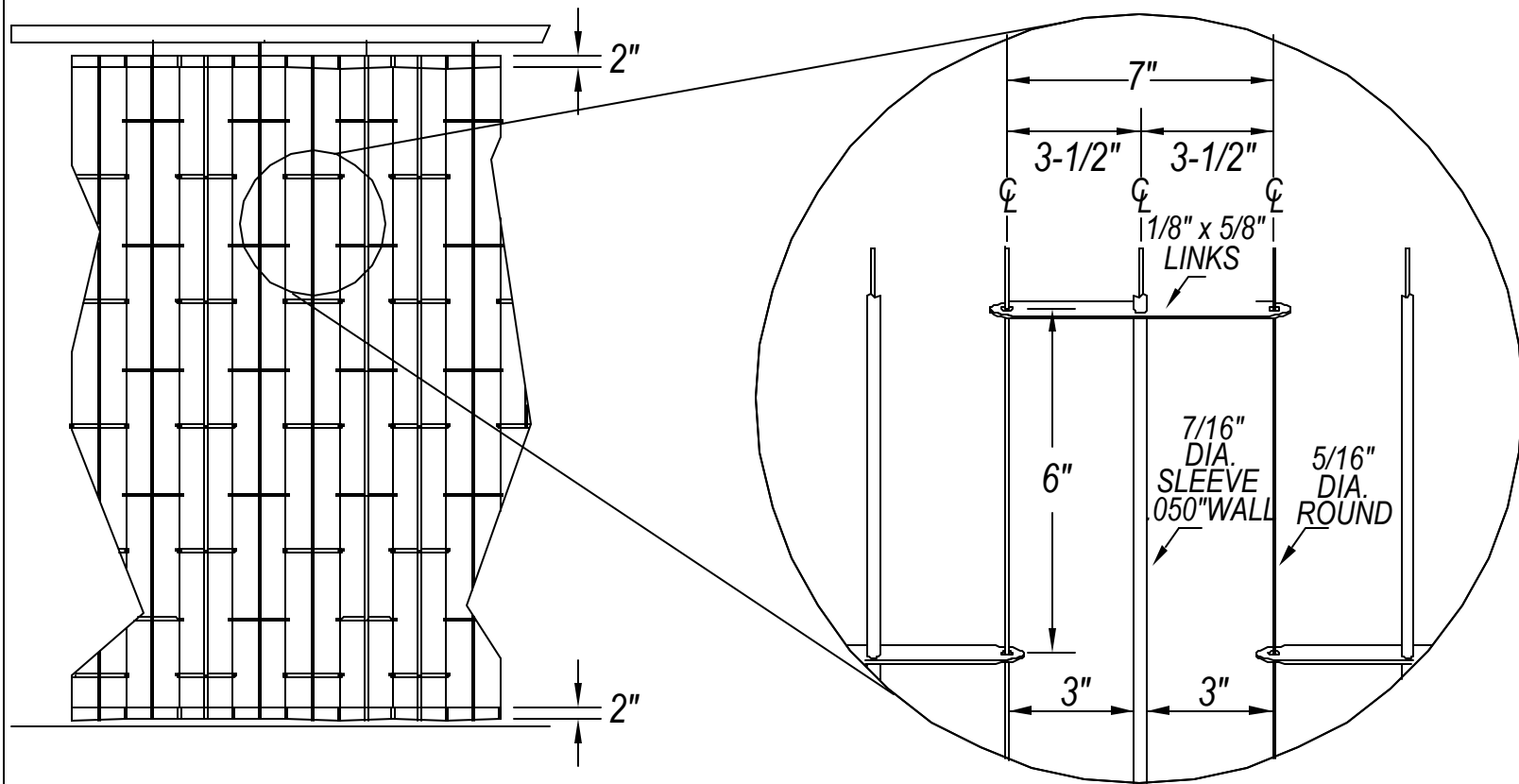


# CLASSIC 126 CURTAIN DETAIL



MATERIAL: 6063 ALUMINUM ALLOY (T5)