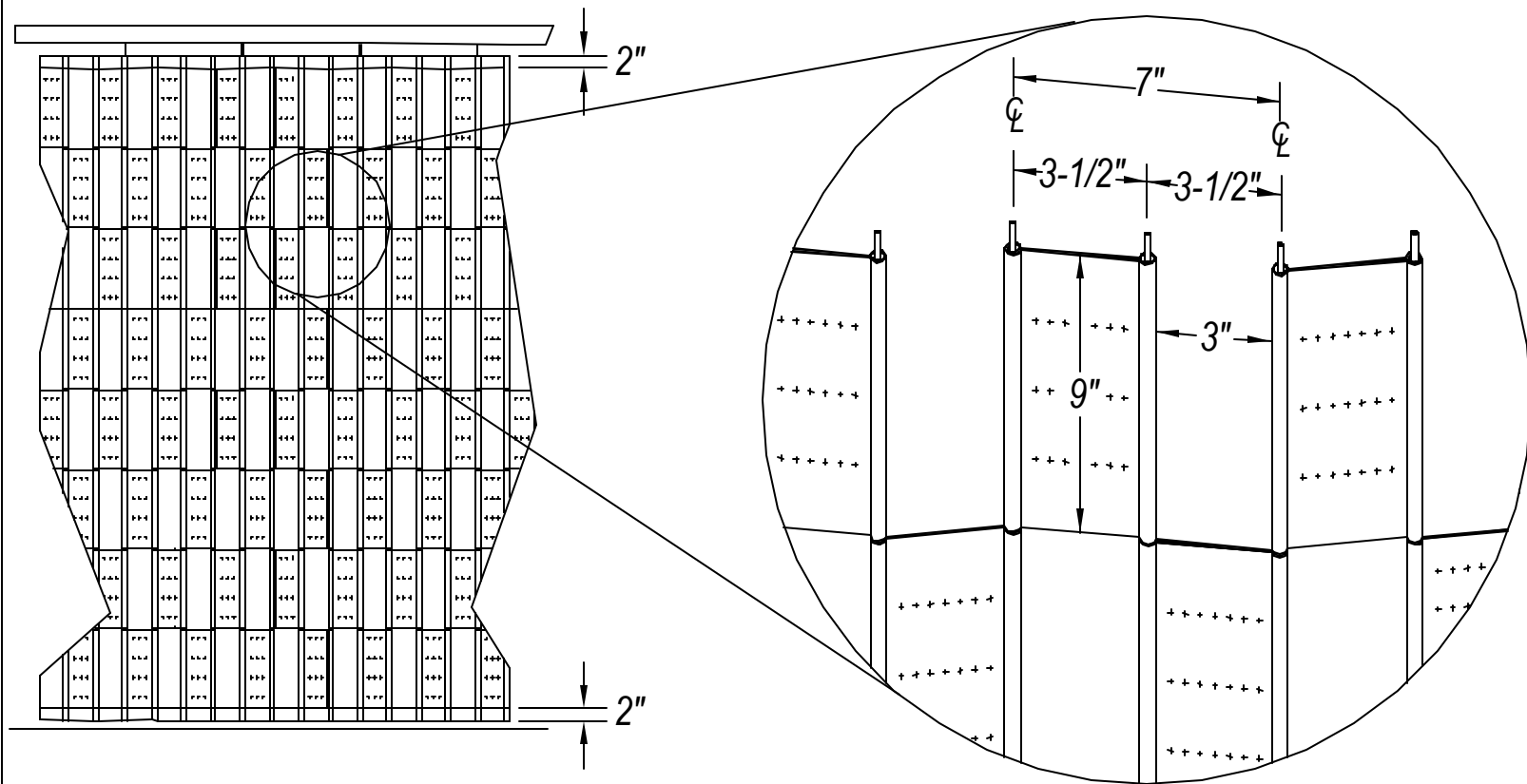


SENTRY 99 CURTAIN DETAIL



MATERIAL: 6063 ALUMINUM ALLOY (T5)