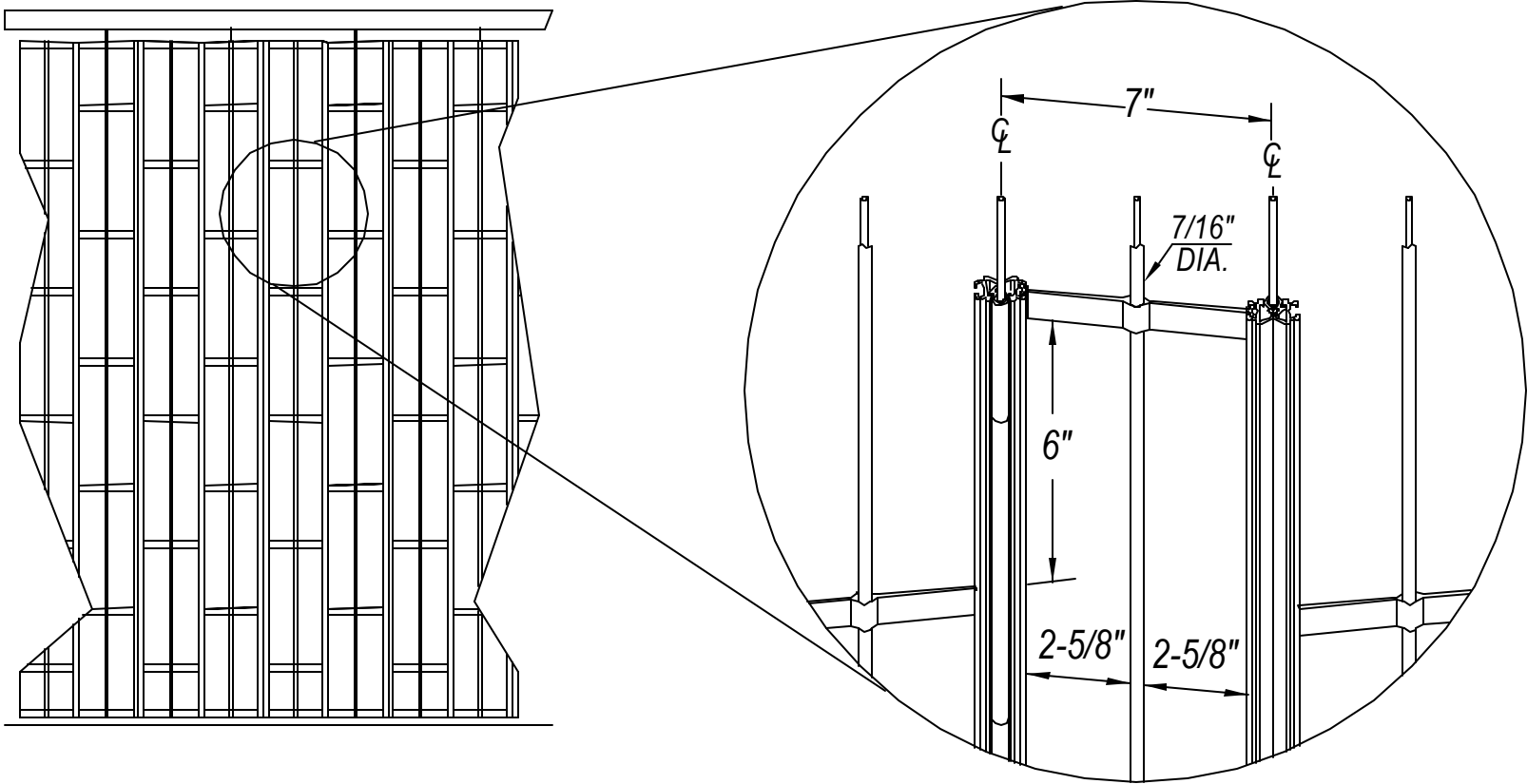


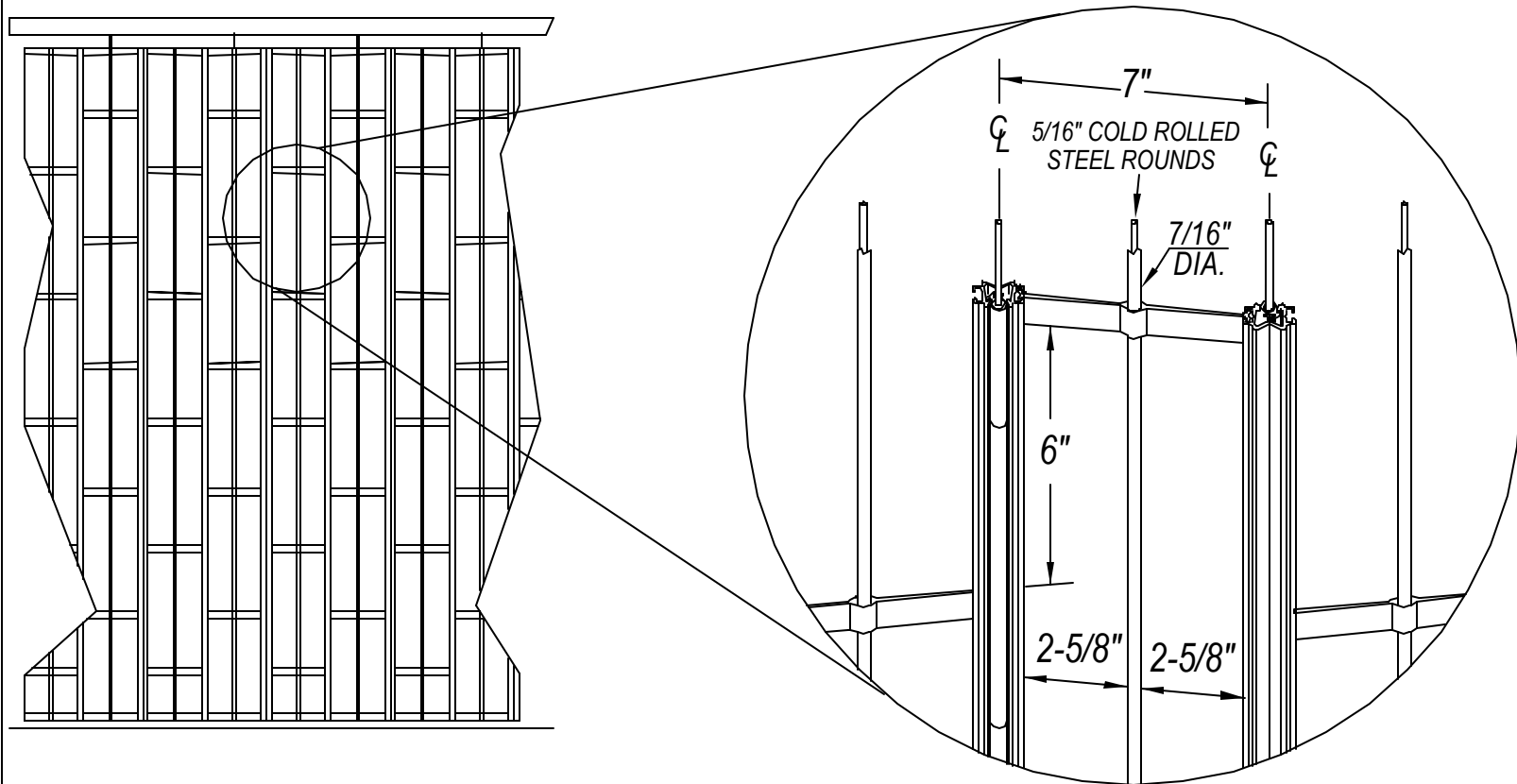
# GUARDIAN CURTAIN DETAIL



*MATERIAL: 6063 ALUMINUM ALLOY (T5)*



# STEEL ROD GUARDIAN CURTAIN DETAIL



MATERIAL: 6063 ALUMINUM ALLOY (T5)